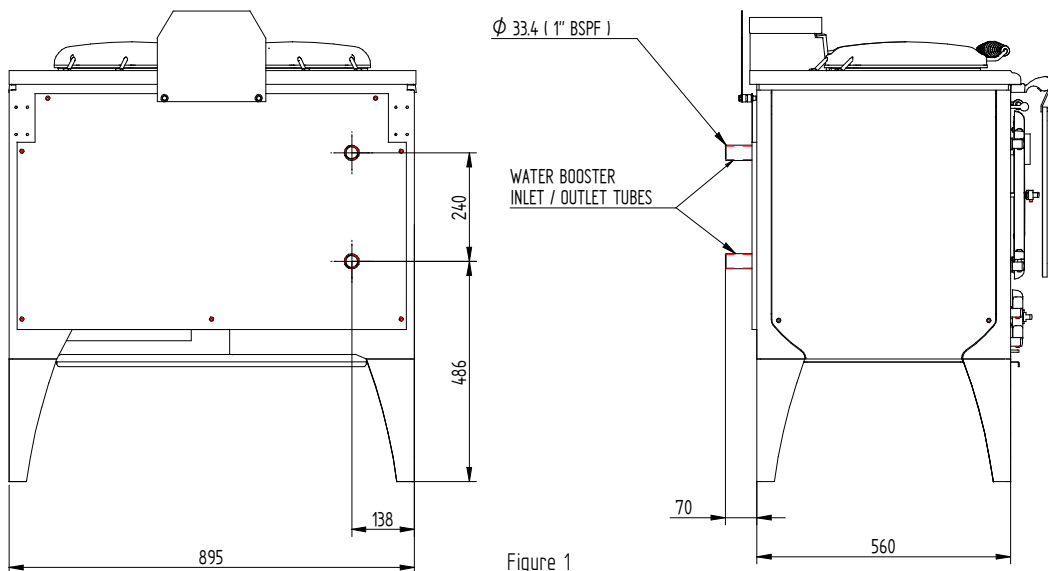




GLEN DIMPLEX AUSTRALASIA LTD

ECSWBREKIT - Water Booster Kit for ESSE Cooker

1. Remove Top Baffle, Rear Bricks, Left Side Bricks and Grates.
2. Drill two holes 50mm Dia into firebox rear panel, refer to figure 1 for location dimensions.
3. Drill two holes 35mm Dia into rear heat shield panel, refer to figure 1 for location dimensions.



4. Fit three M6 x 40 Setscrews and M6 Locknuts into Grate Support Plate. These need to be loose and top nut approx halfway up the screw. As per Figure 2. You do not need to remove the Firebox Side Plate.
5. Fit the Water Booster.
6. Adjust the three M6 x 40 Setscrews and Locknuts to support the Water Booster
7. Refit the Grates.
8. Fit New Baffle above the water booster.

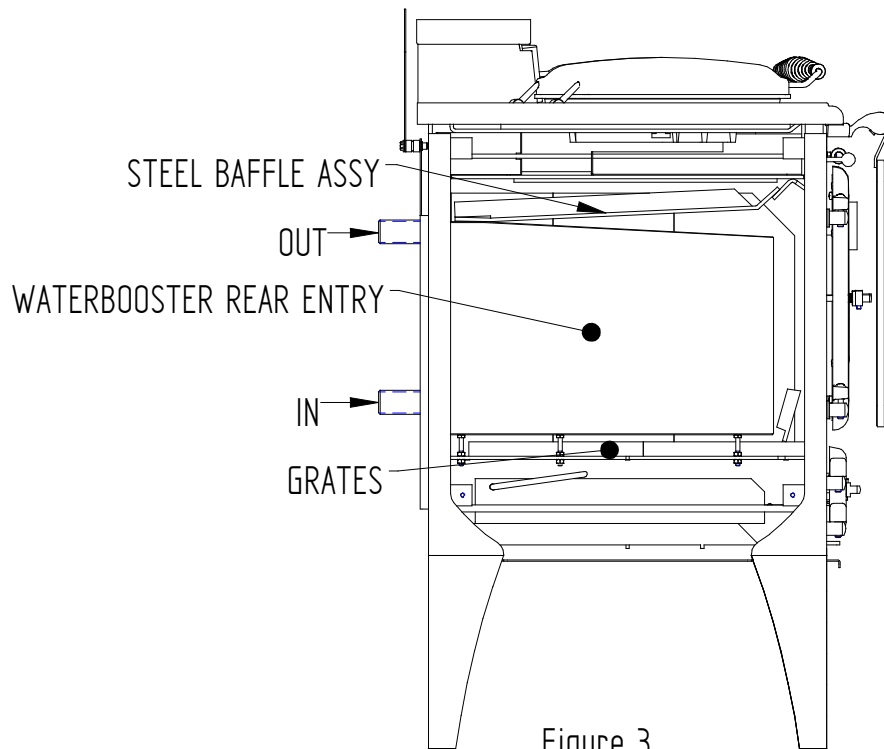
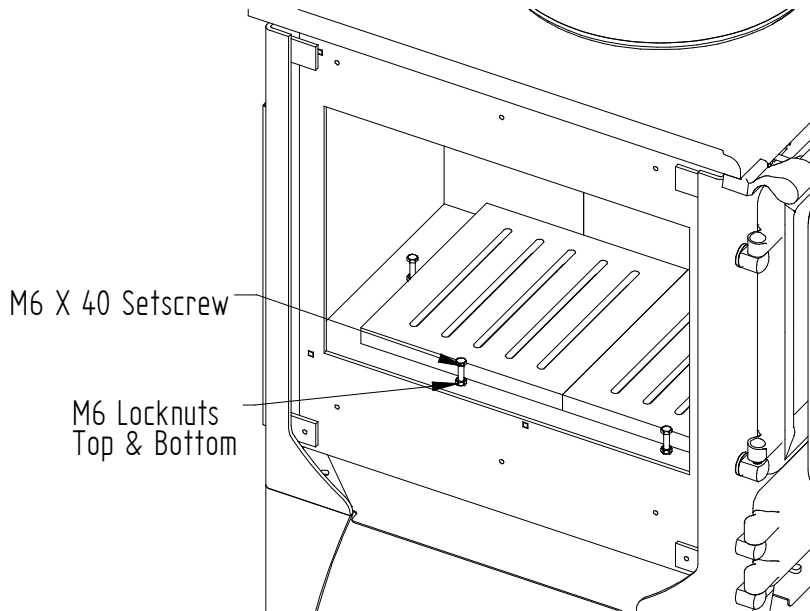


Figure 3

Kit Components

Part ID	Description	Qty
ECSWBRE	WATER BOOSTER REAR ENTRY	1
ECSAC110	STEEL BAFFLE ASSY - WATER BOOSTER	1
F-M6X40-HB-SC-ZP	M6 X 40 SET SCREW ZP	3
F-M6-HN-ZP	M6 HEX NUT ZP	6